

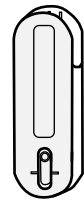
Instruction For Universal Drive Tension Device

WARNING: It is imperative that the drive tension device for bead chain/cord loop be properly secured to the wall or window frame to reduce a child's access to the bead chain/cord loop. Young children can wrap bead chain/cord loops around their necks and strangle. Always keep loops secured and out of the reach of children.

Note to Manufacturer or Fabricator: The shade will not operate properly unless the drive tension device is secured to comply with ANSI/WCMA standard section 6.5.2.

Part List (see Figure 1)

1. one assembled device
2. one slider
3. two brackets: one for inside mount and one for outside mount
4. one 1/2 inch long #4 wood screw and two 1 1/2 inch long #6 wood screws
5. one cable tie (not show)
6. instructions

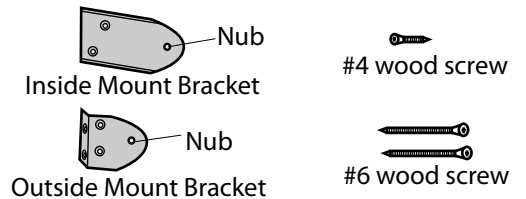


Drive Tension Device



Slider

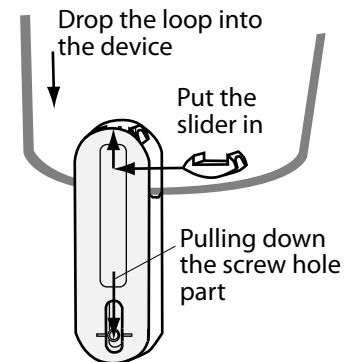
Figure 1. Parts



Attach Device to Bead Chain or Cord Loop (see Figure 2)

Drop the bead chain or cord loop in the device. While pulling the screw hole part down, insert the slider from the side into the center of device and push up, into place. Now the device is attached to the loop. The device can easily move along the loop by pulling down the screw hole.

Figure 2. Attach Device to Loop



Note to Shade Fabricators to Comply with ANSI/WCMA Standard, Section 6.5.1.

Pull either side of the drive loop as shown in Figure 3 until the shade is lifted completely up to the headrail. Using the specific side of the drive loop that was pulled to raise the shade, attach the device as described above. While pulling down on the screw hole of the device, slide the device up as close as possible to the headrail as shown in Figure 4. Route a cable tie through the oval shaped hole on the device and completely around the bundled up drive chain or cord loop, and tighten the cable tie securely as shown in Figure 5.

Figure 3. Pull Shade Up

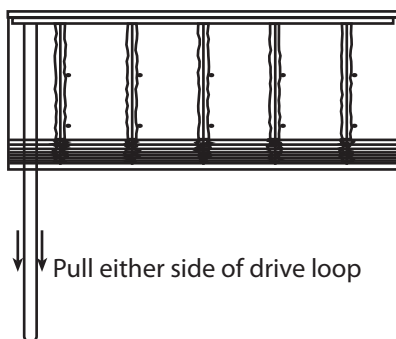


Figure 4. Put the Device in Place

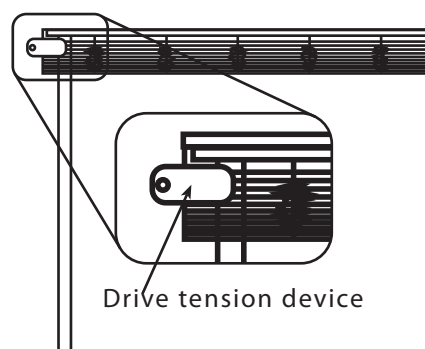
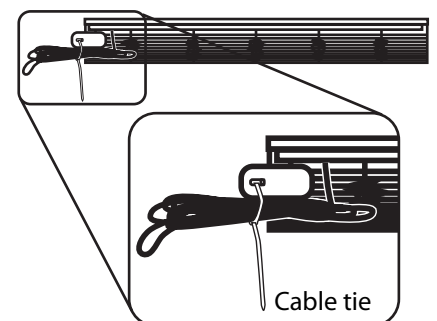


Figure 5. Bundle the Loop and the Device with a Cable Tie



Updated Version, Page 2

Universal Drive Tension Device

Install Device

You can install the device inside window casing with inside mount bracket, or outside window casing with outside mount bracket. Make sure the device is not placed in the path of the bottom rail or fabric. At the job site, use cutting pliers to carefully snip and remove the cable tie from the device. Slide the device to the bottom of the tool while pulling the screw hole in the device as shown in Figure 6. The device must be properly and securely mounted with tension on the drive loop for the shade to be fully operatable.

Inside Mount (see Figure 7)

1. Attach the device to the inside mount bracket with the short screw as shown in Figure 7A. The nub on the bracket fits into the back of the screw hole on the device.
2. Pull down on the bracket, align the center of the screw hole part with the indicator line on the device as shown in Figure 7B.
3. While holding the device firmly in place, check if the loop can move freely through it.
 - 1) If the device locks onto the loop, it is too loose and the bracket and device should be moved down.
 - 2) If the loop does not run freely through the device, it is too tight and the bracket and device should be moved up.
4. Mark and pre-drill the screw holes.
5. Pull down on the bracket and device, align it with the drilled holes, and mount the bracket to inside window casing with two long screws.
6. Check to ensure the loop can move freely through the device without engaging the lock.

Outside Mount (see Figure 8)

Follow the same procedure as the inside mount from step 1 to step 4, except outside mount bracket should be used instead of inside mount bracket. Detach the device from the bracket by removing the short screw. Align the bracket screw holes with the drilled holes and mount the brackets to the wall with two long screws. Reattach the device to the bracket with the short screw. Check to ensure the loop can move freely through the device without engaging the lock.

Note: Bead chain connectors or stops will cause a slight jump when going through the device. Certain brand of bead chain connectors may not work with the device.

Figure 6. Install Device

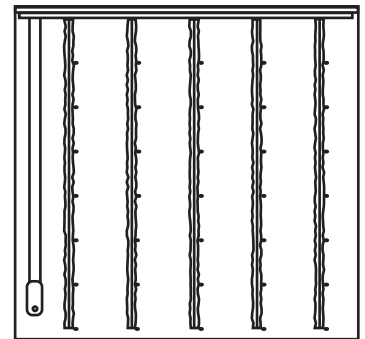


Figure 7. Inside Mount Installation

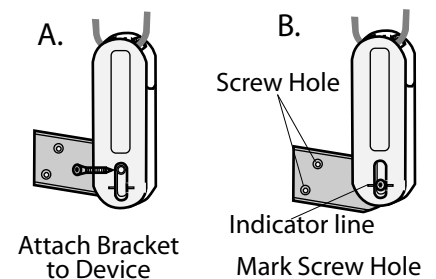


Figure 8. Outside Mount Installation

