

# Instructions For Grommet Tape, (STW37)

## What You Will Need:

- Grommet tape (STW37), about 2 1/2 times drapery rod width
- Your chosen drapery fabric; if desired, drapery lining
- Matching thread
- Drapery weights (x4, one for each corner of each drapery panel)
- Rowley 1 3/8" inside diameter plastic grommets (DP10/, DPT10/, DPS10) available in various shapes and colors. They can be used with poles up to 1" diameter. Plastic grommets must be removed before dry clean.

Or

- Rowley EZ-Set #12 metal grommets (GE12/, GEQ12/) available in round and square shapes and various colors. They can be used with poles up to 1 1/4" diameter. EZ-Set grommets are not recommended for frequent traversing.
- If EZ-Set metal grommets are used, you also need the EZ-Set grommet setter (GSP12), a carpenter's hammer and safety glasses.

### Note:

For every 54" width of fabric, you need up to 12 grommets.

## Estimate Fabric Requirement:

1. Calculate the total number of fabric widths needed:  
Multiply the drapery rod width by 2.25, divide the answer by the fabric width, round the answer up to the nearest full number.
2. Calculate the drapery panel cut length:  
Add 8" for a double folded header, 8" for a double folded bottom hem and 1" shrinkage allowance (Total 17") to the finished drapery panel length.  
Add one pattern repeat if pattern match is required.
3. Total fabric requirement:  
Multiply the drapery panel cut length by the number of fabric widths needed. Convert the answer to yardage.

## Example:

Rod width is 44"; finished drapery panel length is 72". Fabric width is 54" with 6" pattern repeat.

The total number of fabric widths needed is  
 $44" \times 2.25 \div 54 = 1.8$ , round up to 2.  
Each drapery panel will be made of one width of fabric.

The drapery cut length is  
 $72" + 17" = 89"$ .

Add the pattern repeat,  
 $89" + 6" = 95"$ .

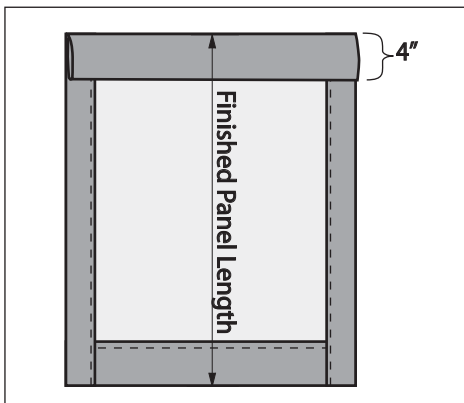
The total fabric requirement is  
 $95" \times 2 \div 36 = 5 \frac{1}{3}$  yards.

**If desired, iron the tape at synthetic setting only. Excess heat will damage the tape.**

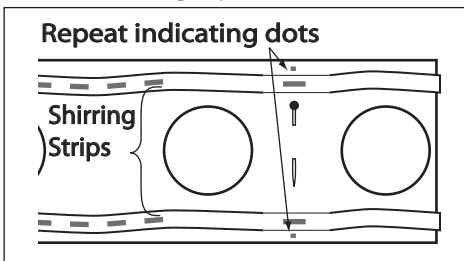
**If plastic grommets are used, remove them before dry clean.**

## Sewing Instructions:

1. Cut and sew the drapery panels, finish side and bottom hems. At the header, make a 4" double fold and press. Do not sew the header.

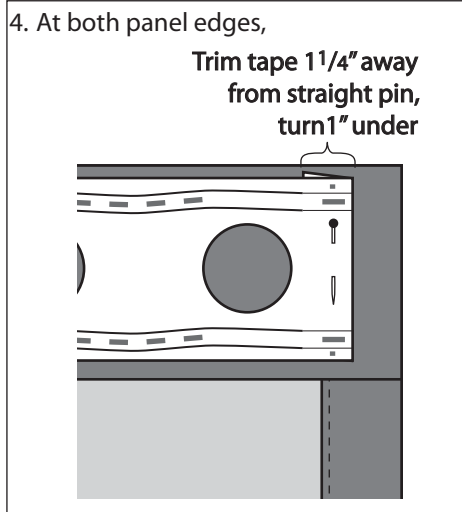


2. On the grommet tape, with shirring strips facing up, find first set of woven-in repeat indicating dots. Mark it with a straight pin.

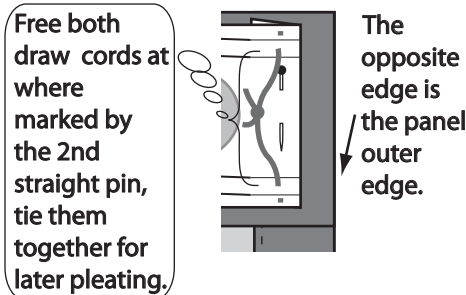
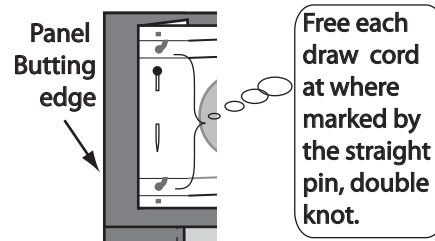


3. Lay the tape across the panel with shirring strips up, have the straight pin aligned with one edge of the panel. At the other edge of the panel, find another set of repeat indicating dots. Mark it with a straight pin also.

Reposition the tape, so both straight pins are on the panel and equal distance from the two panel edges.



5. Remember that each panel has a butting edge, where the two panels meet at the center of the rod. The left hand panel has a butting edge at left and the butting edge on the right hand panel is at right. Identify the panel butting edge.



6. Leaving 1/4" between the top edges of the tape and the panel, pin the tape to the panel across the entire width.

7. Machine stitch the tape to the panel along the green sewing lines. Stitch both edges in the same direction. Be careful not to sew over the shirring strips.

### Grommet setting Instructions:

1. With sharp scissors, carefully cut away fabrics from inside each round hole.

#### For Plastic Grommets:

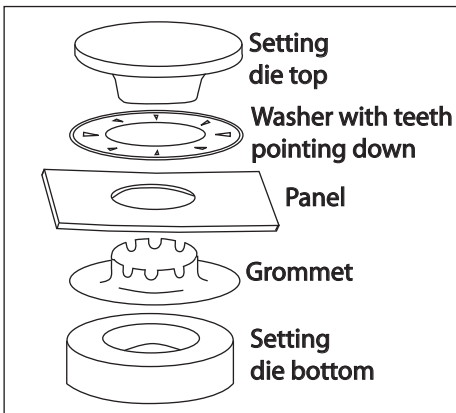
Spread the panel with grommet tape facing up. Slip the grommet half with spikes beneath the panel, let its neck poke through a round hole. Place the second grommet half over the neck. Click them together. Be careful not to trap the grommet tape shirring strips in the grommet. If it is trapped, insert a flat head screwdriver into the notch on the grommet and carefully ease apart, then reattach.

Repeat across the entire panel.

#### For EZ-Set Grommets:

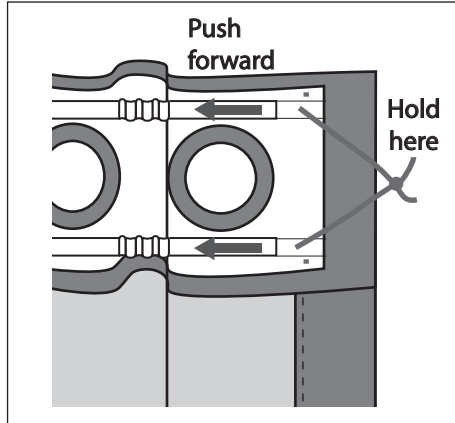
Wear safety glasses. Spread the panel with grommet tape facing up. Put a grommet on top of the setting die bottom. Slip the grommet and setting die bottom beneath the panel and let the grommet neck poke through a round hole. Place a washer over the neck with teeth pointing down. Be careful not to trap grommet tape shirring strips in the grommet. The figure below shows the layout of the die, grommet and panel. Check and make sure your set up is correct. Use a carpenter hammer and carefully aim your blow to the setting die top center surface. It may take a few strikes until the grommet is secured.

Repeat across the entire panel.

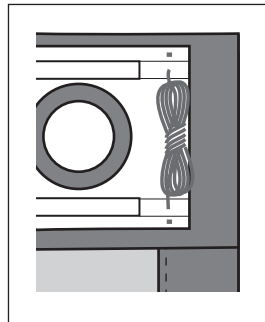


### Pleating Instructions:

1. Hold the tied together cords in one hand, gently push the bottom shirring strip into shirred position. Repeat this with the top shirring strip. Advance to the next set of shirring strips, push these into shirred position the same way as the first. Return to the first set, as these are no longer shirred, re-shirr. Repeat until all the shirring strips along the entire panel width are shirred.



Do not cut off the excess cords. Wind the loose cords to make a neat bundle. Catch the cord bundle with two stitches to the panel.



### Care Instructions:

Dry clean only.

If plastic grommets are used, remove them before cleaning. Gently Insert a flat head screwdriver into the notch on the grommet and carefully ease apart.